



# **4x4 CONCRETE MIXER**

## **CONCRETE MIXING TECHNOLOGIES**

**INNOVATIVE - QUALIFIED - TRUSTED**

**SCREED • PLASTER • GROUT • CONCRETE • SHOTCRETE • PLANT  
BLASTING • ROADHEADER • ATEX**

**www.tekkok.com.tr**

TEKKÖK is a registered trademark

## TEKKÖK® CONCRETE MIXER

We offer concrete mixers as an innovative solution to mortar, concrete and shotcrete jobs in all scales of construction projects. We use all the technological improvement and opportunities of our era in the design of our products. As a brand name **TEKKÖK®** means innovation, quality and trust.

### 4x4 CONCRETE MIXER

Our 4x4 concrete mixer with 3.5 m<sup>3</sup> output rate is offered with optional features. It is possible to get this model with the self-loading shovel as well as the weighing system as optional additions.

### IMPROVED TECHNOLOGY FOR MIXING CONCRETE

It is a diesel driven hydraulic system of 4x4 vehicle on which the concrete mixer is robustly mounted for high efficiency. The overall design supports even higher efficiency for loading the ingredients when it is combined with the self-loading shovel and weighing system.

#### +BUILT-IN SELF-LOADING SHOVEL +S:

For loading the ingredients without an extra machine, it is optional to order our 4x4 concrete mixer as integrated with self-loading shovel.

#### +BUILT-IN WEIGHING SYSTEM +W:

For mixing concrete with different ingredient formulas with sensitive mixing ratios, the weighing system is an optional addition.

## TEKKÖK® 4x4 CONCRETE MIXER Mobile

www.tekkok.com.tr

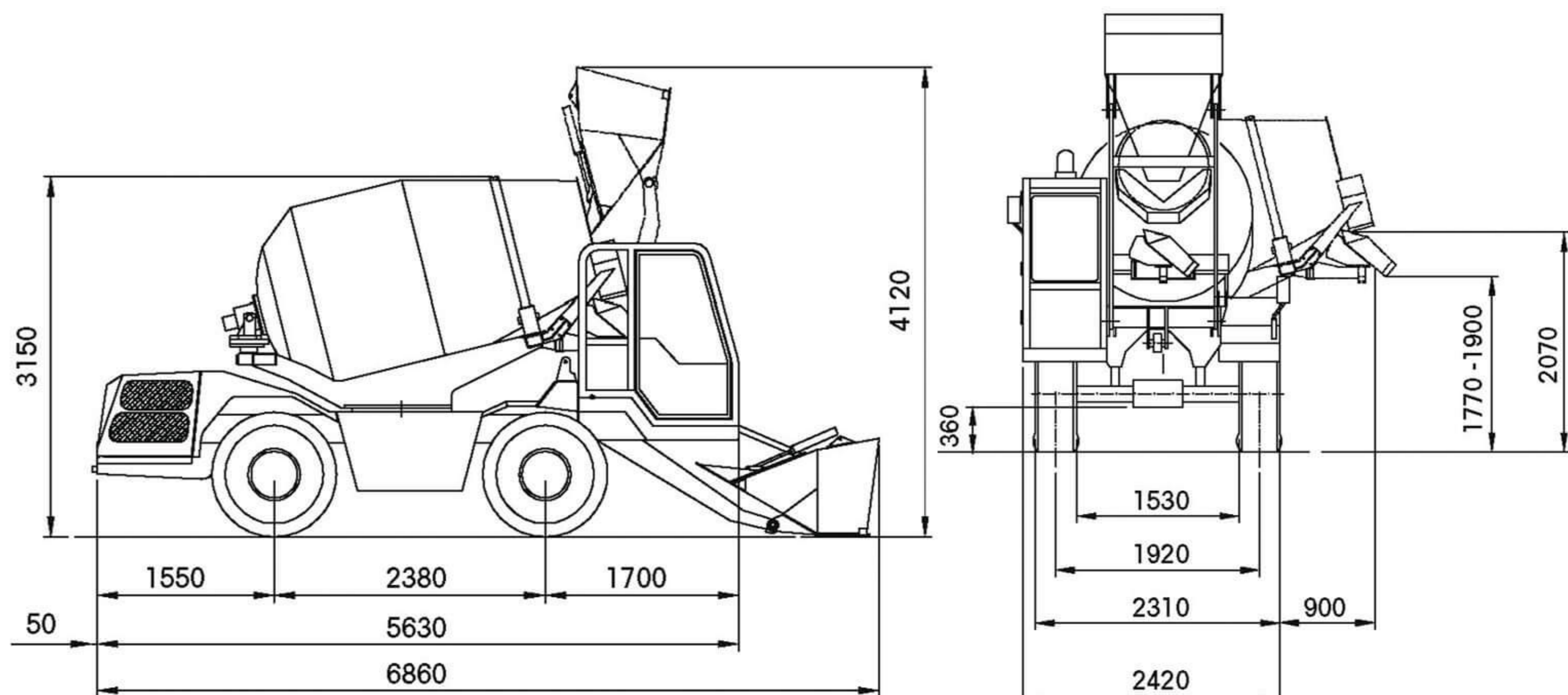


**MADE IN  
Turkey**

Discover  
the potential

## TECHNICAL SPECIFICATIONS

Model	CMT-4850
Trigger	Diesel-driven
Electric system	12V battery for starter and lighting
Operation system	Hydraulic
Engine	Kubato, Deutz, FPT, Perkins or equivalent
Power	83 kW
Speed	25 km/h maximum
Transmission and steering	Hydrostatic 4x4 vehicle, 4 wheel drive and steering
Tyres	405/70*20"
Drum volume	4850 lt
Concrete output	3500 lt
Mixer discharge	With rotation to 3-side
Loading shovel	600 lt (Optional - Available with the model CMT-4850S)
Weighing system	Digital (Optional - Available with the model CMT-4850SW)
Water system	High pressure water pump with 400 lt/min rate
Dimension (WxLxH)	2420*5630*3150 mm (CMT-4850) 2420 * 6860 * 4120 mm (CMT-4850S and CMT-4850SW)
Weight	6600 kg (CMT-4850) 7300 kg (CMT-4850S and CMT-4850SW)





[www.tekkok.com.tr](http://www.tekkok.com.tr) | [hetco@tekkok.com.tr](mailto:hetco@tekkok.com.tr)

MADE in TURKEY